



# ATEX-approved Sensors

## Flame-proof RTD's & Thermocouples

### Features

- Spring-loaded design
- Suitable for all types of thermowells
- RTD's or Thermocouples
- Complete with enclosure
- MgO construction

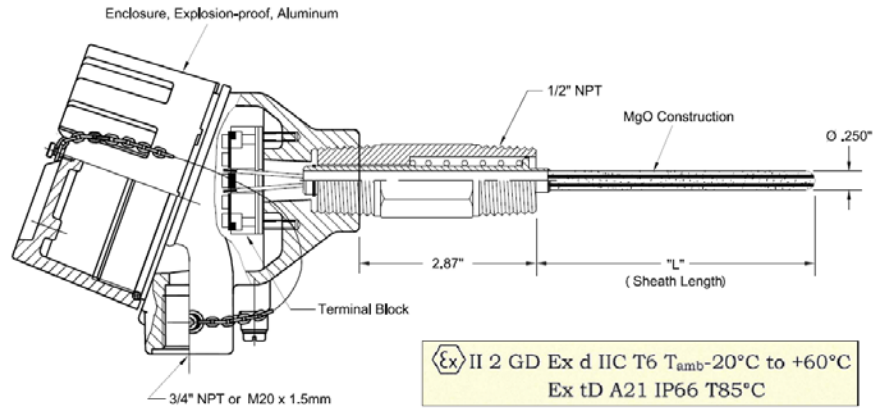
Ultra Electronics, Nuclear Sensors & Process Instrumentation manufactures temperature sensor assemblies suitable for hazardous area locations that meet EU ATEX Directive 94/9/EC.

The flame-proof certification covers our spring-loaded sensor that is suitable for all types of thermowells and are available in both RTD and thermocouple configurations. The design includes an aluminum explosion-proof enclosure with integral terminal block.

Ultra manufactures temperature sensors for critical applications in the nuclear power, aerospace, petrochemical, pharmaceutical and OEM markets.

### ATEX directive

- Ex d Flame-proof
- Equipment Group II
- Suitable for Gas Zones 1 & 2 and Dust Zones 21 & 22
- Gas Group IIC – Acetylene & Hydrogen
- T6 Temperature Classification
- Type Approval – Independent of thermowell or protection tube
- ISO/IEC 80079-34:2011 Including ATEX 95, the Directive on Equipment and Protective Systems Intended for use in Potentially Explosive Atmospheres (94/9/EC)



II 2 GD Ex d IIC T6 T<sub>amb</sub>-20°C to +60°C  
Ex tD A21 IP66 T85°C

Model	Description
305 Ex d	ATEX-approved, Flame-proof Temperature Sensor
<b>Code</b>	<b>RTD / Thermocouple Type</b>
01B	100Ω Platinum, α = 0.00385 DIN RTD
01A	100Ω Platinum, α = 0.003902 RTD
J_	Type J Thermocouple (Specify <u>G</u> for grounded or <u>U</u> for ungrounded junction)
K_	Type K Thermocouple (Specify <u>G</u> for grounded or <u>U</u> for ungrounded junction)
T_	Type T Thermocouple (Specify <u>G</u> for grounded or <u>U</u> for ungrounded junction)
E_	Type E Thermocouple (Specify <u>G</u> for grounded or <u>U</u> for ungrounded junction)
<b>Code</b>	<b>Construction</b>
D	MgO Construction, Stainless Steel Sheath
B	MgO Construction, Inconel Sheath
<b>Code</b>	<b>Number of Leadwires</b>
2	Single Thermocouple
3	3-wire RTD
4	4-wire RTD or Dual Thermocouple
6	Dual, 3-wire RTD
<b>Code</b>	<b>Sheath Diameter</b>
C	0.250"
<b>Code</b>	<b>Sheath Length</b>
xxx.x	Specify in inches
<b>Code</b>	<b>Leadwire Length</b>
Z006	6" of Teflon-insulated leadwire
<b>Code</b>	<b>Enclosure Electrical Connection</b>
3/4"	3/4" NPT Conduit Entry
M20	M20 Conduit Entry

Thermowells may be selected by using our catalog specification sheets.



Ultra Electronics  
 NUCLEAR SENSORS & PROCESS INSTRUMENTATION  
 707 Jeffrey Way, PO Box 300  
 Round Rock, TX 78680-0300 USA  
 Tel: +1 512 434 2800  
 Email: temperature@ultra-nspi.com  
 www.ultra-nspi.com  
 www.ultra-electronics.com

Ultra Electronics reserves the right to vary these specifications without notice.  
 © Ultra Electronics 2013.  
 Printed in USA  
 ATEXExd01/13  
 0015-001-0075-DIS Rev. 0