



ATEX-approved Assemblies

Intrinsically-safe Temperature Transmitter & Sensors

Features

- Integral temperature transmitter
- Spring-loaded sensor design
- Suitable for all types of thermowells
- RTD's or Thermocouples
- Aluminum enclosure
- MgO sensor construction

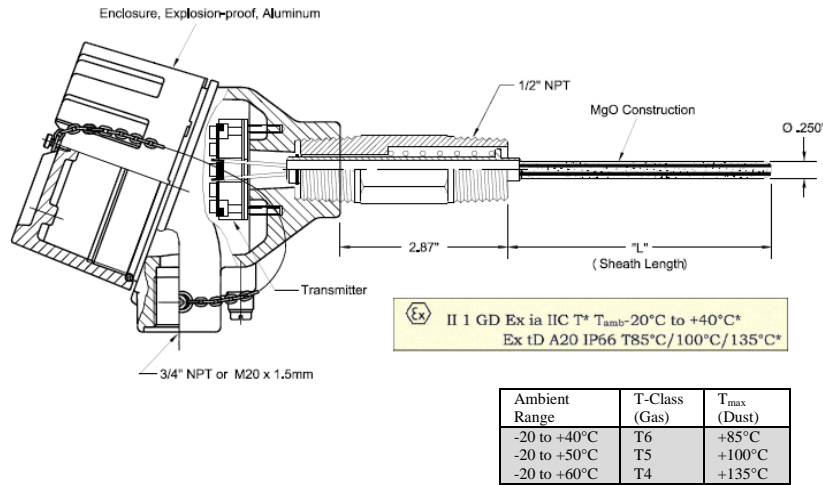
Ultra Electronics, Nuclear Sensors & Process Instrumentation manufactures temperature sensor assemblies suitable for hazardous area locations that meet EU ATEX Directive 94/9/EC.

The intrinsically-safe certification covers our temperature transmitter, spring-loaded sensor and connection head assembly. The assembly is suitable for all types of thermowells. Either RTD's or thermocouples can be specified.

Ultra manufactures temperature sensors for critical applications in the nuclear power, aerospace, petrochemical, pharmaceutical and OEM markets.

ATEX directive

- Ex ia Intrinsically-safe
- Equipment Group II
- Suitable for Gas Zone 0 and Dust Zone 20
- Gas Group IIC – Acetylene & Hydrogen
- T4 - T6 Temperature Classification
- Type Approval – Independent of thermowell or protection tube
- ISO/IEC 80079-34:2011 Including ATEX 95, the Directive on Equipment and Protective Systems Intended for use in Potentially Explosive Atmospheres (94/9/EC)



Model	Description
305 Ex ia	ATEX-approved, Intrinsically-safe Temperature Sensor Assembly

Code	RTD / Thermocouple Type
01B	100Ω Platinum, α = 0.00385 DIN RTD
01A	100Ω Platinum, α = 0.003902 RTD
J_	Type J Thermocouple (Specify <u>G</u> for grounded or <u>U</u> for ungrounded junction)
K_	Type K Thermocouple (Specify <u>G</u> for grounded or <u>U</u> for ungrounded junction)
T_	Type T Thermocouple (Specify <u>G</u> for grounded or <u>U</u> for ungrounded junction)
E_	Type E Thermocouple (Specify <u>G</u> for grounded or <u>U</u> for ungrounded junction)
Code	Construction
D	MgO Construction, Stainless Steel Sheath
B	MgO Construction, Inconel Sheath
Code	Number of Leadwires
2	Single Thermocouple
3	3-wire RTD
4	4-wire RTD or Dual Thermocouple
6	Dual, 3-wire RTD
Code	Sheath Diameter
C	0.250"
Code	Sheath Length
xxx.x	Specify in inches
Code	Leadwire Length
Z006	6" of Teflon-insulated leadwire
Code	Enclosure Electrical Connection
3/4"	3/4" NPT Conduit Entry
M20	M20 Conduit Entry

Model	Description
7H__	PC-programmable, Temperature Transmitter – Complete code by referring to <i>7600H Specifications</i>
9H__	HART [®] Temperature Transmitter – Complete code by referring to <i>9100H Specifications</i>

Thermowells may be selected by using our catalog specification sheets.



Ultra Electronics
 NUCLEAR SENSORS & PROCESS INSTRUMENTATION
 707 Jeffrey Way, PO Box 300
 Round Rock, TX 78680-0300 USA
 Tel: +1 512 434 2800
 Email: temperature@ultra-nspi.com
 www.ultra-nspi.com
 www.ultra-electronics.com

Ultra Electronics reserves the right to vary these specifications without notice.
 © Ultra Electronics 2013.
 Printed in USA
 ATEXExia01/13
 0015-001-0076-DIS Rev. 0